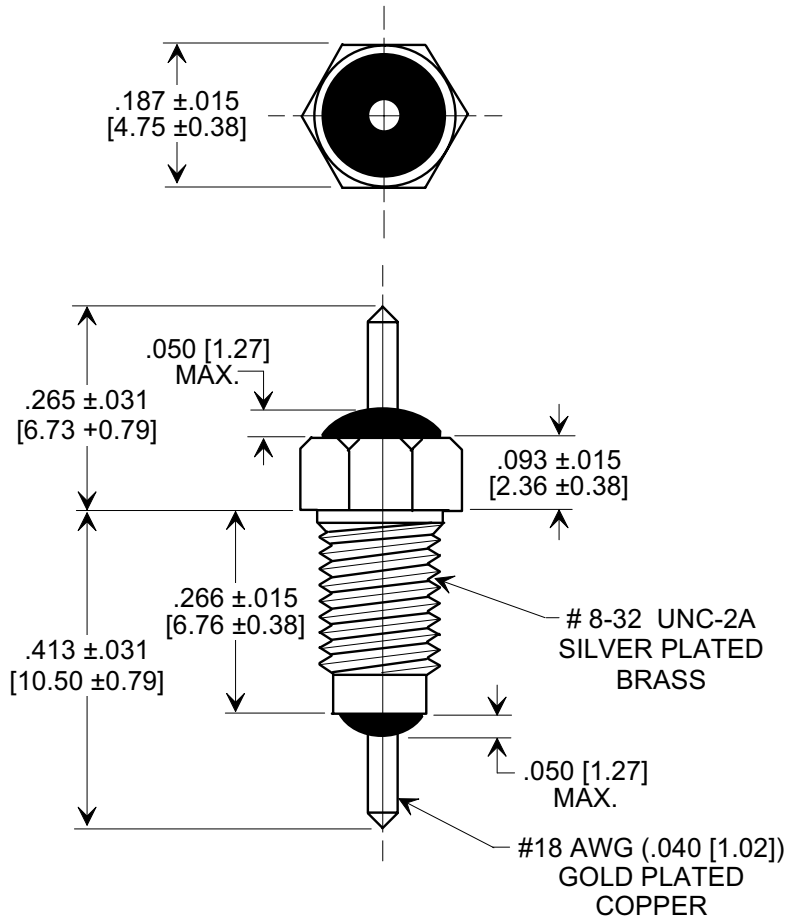
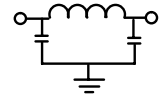
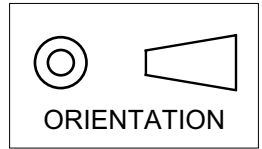


MARKETING SALES DRAWING

DIMENSIONS IN INCHES - DO NOT SCALE THIS DRAWING
DIMENSIONS IN METRIC - []

Electrical Testing
 per Tusonix standard
 test plans and Mil-Std-202
 Test Methods.



NOTES:

- SUPPLIED WITH SILVER PLATED HEX NUT AND LOCKWASHER.
- TUSONIX STANDARD PART NUMBER: 4201-065.
 TUSONIX RoHS COMPLIANT PART NUMBER: 4201-065 LF.
 CUSTOMER MUST SPECIFY STANDARD OR RoHS PART NUMBER WHEN ORDERING.
- PART MARKING: TRADEMARK AND VARIATION NUMBER ON HEX FLATS.
 STANDARD PART: BLACK INK. RoHS PART: GREEN INK.

MIN. CAP. (pF)	WORKING VOLTAGE (WVdc)		CURRENT (Adc)	I.R. MIN. @ 100 (VDC.)	DWV (VDC)	MINIMUM NO LOAD INSERTION LOSS (dB) AT 25°C PER MIL-STD -220			
	85°C	125 °C				10 MHz	100 MHz	1 GHz	10 GHz
5500	200	100	10	10 G	400	14	55	70	70

X-2015 Rev-0 REVISION RECORD Original Release C.O. 20000905-1-01 ADDED NOTES, IR, DWV & METRIC. S.M. 07-28-05 20050726-2-32	0	1	--TOLERANCES-- Unless Otherwise Specified	Title BUSHING MOUNT PI TYPE EMI FILTER		
	DECIMAL ±			Drawn L.E. 09-05-00	Scale 4X	
	ANGLES ±		Approved T.C. 09-05-00		A	4201-065
	TUSONIX TUCSON, ARIZONA					